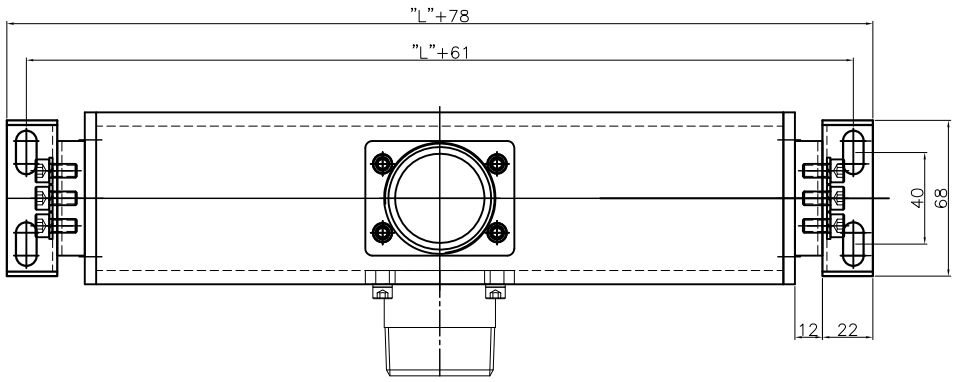


1 2 3 4 5 6 7 8

RevNo	Revision note	Date	Reviser	Checked
-------	---------------	------	---------	---------

A

A

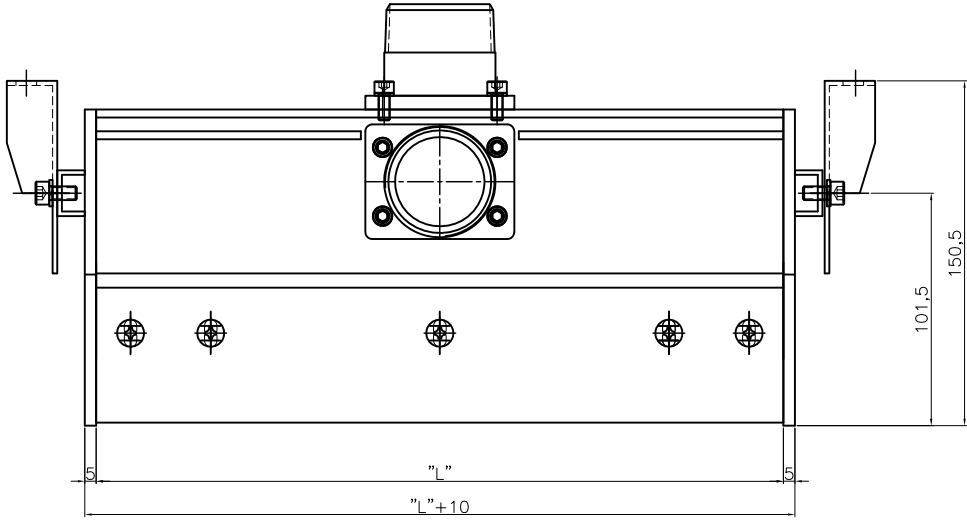


B

B

C

C



D

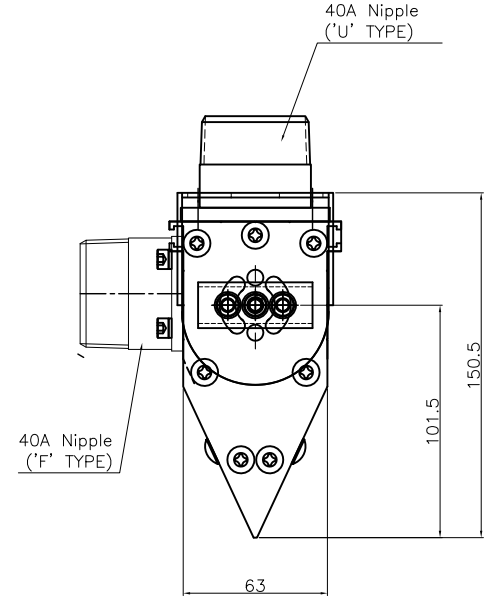
D

E

E

F

F



No	Description	Specification	Q'ty	Material	Weight	Remark
Designed	Checked	Approved	Size	Filename	Date	Scale
			A3			1/1
Customer			Title			
			Air knife Ass'y			
Maker			Title			
			40A-'U' & 'F' Type			
			drawing no.		Edition	
					0	

1 2 3 4 5 6 7 8